

# TOTO®

## MS934214SF Lloyd® One Piece Toilet, 1.6 GPF



MS934214SF - Lloyd® Toilet



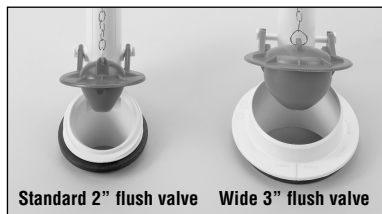
**G-Max® Technology:** Quiet, powerful, commercial grade flushing performance.



**UniFit Rough-in:** Easy to install 10", 12" and 14" rough-in's available.



Complete with a Soirée® SoftClose® toilet seat, or upgrade to a Washlet®.



Standard 2" flush valve    Wide 3" flush valve

**Fast Flush:** New, wide 3" flush valve is 125% larger than conventional 2" flush valves.

- Unique sculpted design, skirted one piece toilet
- Universal Height 16-1/8" rim height
- Skirted styling with concealed trapway for easy cleaning
- G-Max® Technology
- Powerful, quiet flush every time
- Large water surface
- Designer Suite:  
    Matching Lloyd® air bath, pedestal and console lavatories

Decorative, ADA compliant, high profile one piece toilet. Low consumption (6 Lpf/1.6 Gpf) siphon jet flushing action.

Tank cover, fittings, polished chrome trip lever, and Soirée® SoftClose® seat included.

### ■ MS934214SF

Elongated with SoftClose® white seat, 12" UniFit rough-in.

### □ TSU03W.10

10" UniFit rough-in: Optional

### □ TSU03W.12

12" UniFit rough-in: Supplied

### □ TSU03W.14

14" UniFit rough-in: Optional

#### Colors:

Standard #01 Cotton, #11 Colonial White  
#12 Sedona Beige, #03 Bone  
#51 Ebony

#### Trip Lever:

Standard #CP Polished Chrome  
Optional See price book for additional finishes



ADA Compliant

For installation condition with approach from the left hand side.

# MS934214SF

## Lloyd® One Piece Toilet, 1.6 GPF

### ■ PERFORMANCE

The TOTO® G-Max® low consumption toilets received high ratings during ANSI/ASME and CSA testing at independent laboratories. Designed with a powerful siphon jet flushing action, the toilet offers a large water surface and a glazed trap-way.

### ■ SPECIFICATIONS

Water Use: 1.6 Gpf / 6.0 Lpf  
 Flush System: Gravity Feed (G-Max System)  
 Min. Water Pressure: 8 psi  
 Water Surface: 10-3/4" x 8-1/4"  
 Trap Diameter: 2-1/8"  
 Rough-in: 12" rough-in  
 Trapseal: 2-1/4"  
 Warranty: One Year Limited Warranty  
 Material: Vitreous china

Shipping Weight: **MS934214SF** 105 lbs.

Shipping Dimensions: **MS934214SF**  
 32"L x 19-1/2"W  
 x 28-1/2"H

*Fixture dimensions and hydraulic performance meet or exceed ANSI/ASME standard A112.19.2M and CAN/CSA B 45 requirements.*

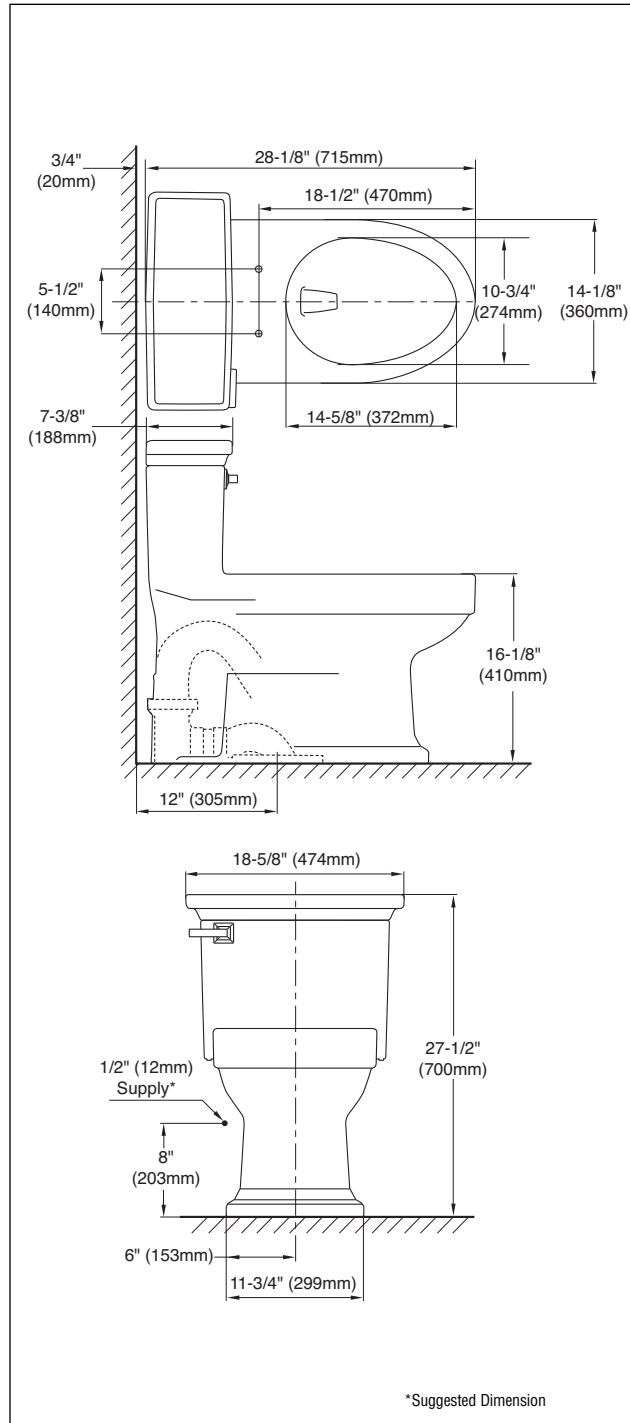
*Listing and approval: IAPMO/UPC, CSA, City of Los Angeles, State of MA, and others*



*Meets the American Disabilities Act Guidelines and ANSI A117.1 requirements where installed so top of seat is 17"-19" from the finished floor. For installation condition with approach from the left hand side.*

*Recommended seat: SS214*

*These dimensions and specifications are subject to change without notice.*



**MS934214SF - Lloyd® Toilet**



TOTO® U.S.A., INC. • 1155 Southern Road, Morrow, GA 30260  
 Tel. (888) 295-8134 • Fax. (770) 282-8701 • www.totousa.com  
 Printed in U.S.A. © TOTO LTD. 03/07 #A10290

Printed on recycled paper

REV 02/09