

## Aquia® Close Coupled Toilet, 1.6GPF & 0.9GPF

### FEATURES

- Dual-Max® flushing system, low consumption (1.6GPF/6.0LPF & 0.9GPF/3.4LPF)
- Elongated skirt
- Universal Height
- Close coupled, elongated front bowl and tank set, less toilet seat
- Dual flush option
- Chrome push-button
- 10" rough-in

### MODELS

- CST412MF.10

### COMPONENTS

- CT412F.10 - Elongated Front Bowl, 10" rough-in
- ST412M - Tank and Cover only
- SS204 SoftClose® seat (sold separately)
- SS164 SoftClose® seat (sold separately)

### COLORS/FINISHES

- Standard  
#01 Cotton

### PRODUCT SPECIFICATION

The two-piece, universal height, low consumption dual-max flushing system toilet shall be 1.6GPF/0.9GPF. Toilet shall have 10" rough-in. Toilet shall have high-profile tank, elongated front bowl and chrome push-button. Toilet shall be TOTO Model CST412MF.10#01.



**DUALMAX®**  
FLUSHING SYSTEM BY TOTO

### CODES/STANDARDS

- Meets or exceeds ASME A112.19.2/CSA B45.1, ASME A112.19.14
- Certifications: IAPMO(cUPC), EPA Watersense, State of Massachusetts, City of Los Angeles, and others
- Code compliance: UPC, IPC, NSPC, NPC Canada, and others
- Legislative compliance: California AB715, California Green Building Code, City of Los Angeles Water Efficiency Ordinance
- ADA compliant (center mount actuator/trip lever is approach side neutral\*)  
\* consult with your local jurisdiction for special requirements



# CST412MF.10

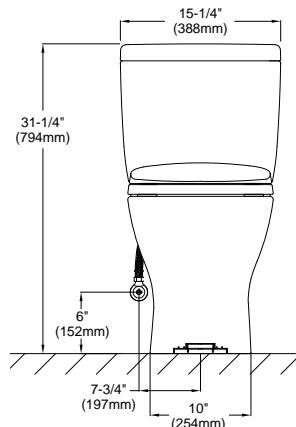
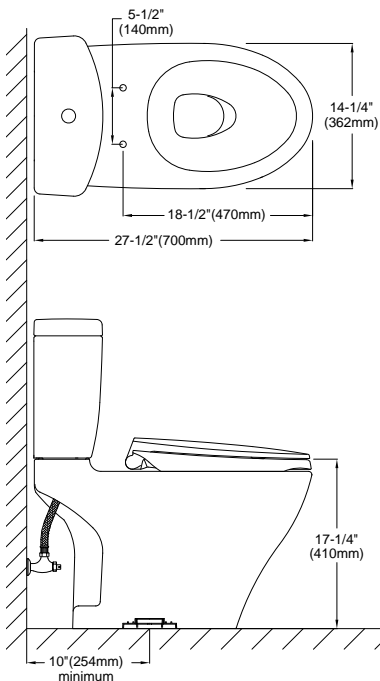
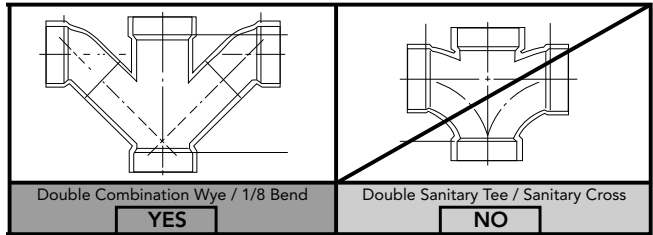
## Aquia® Close Coupled Toilet, 1.6GPF & 0.9 GPF

### SPECIFICATIONS

- Water Use 1.6 GPF & 0.9GPF (6.0 LPF & 3.4LPF)
- Flush System Dual-Max
- Min. Water Pressure 8 psi (flowing)
- Water Surface 6" x 4-1/2"
- Trap Diameter 2-1/8"
- Rough-in 10"
- Trap Seal 2-1/8"
- Warranty One Year Limited Warranty
- Material Vitreous china
- Shipping Weight CT412F.10 - 78lbs  
ST412M - 30lbs
- Shipping Dimensions CT412F.10  
30-3/4" L x 17-3/8" W  
x 20-1/2" H  
  
ST412M  
17-1/4" L x 7-7/8" W  
x 17-1/2" H

### INSTALLATION NOTES

Back-to-Back Toilet Installations:  
TOTO recommends the use of a nationally listed, double sanitary tee-wye only, in vertical waste stacks, in accordance with the stipulations noted in the majority of nationally recognized plumbing codes.



**TOTO®**

*These dimensions and specifications are subject to change without notice*