

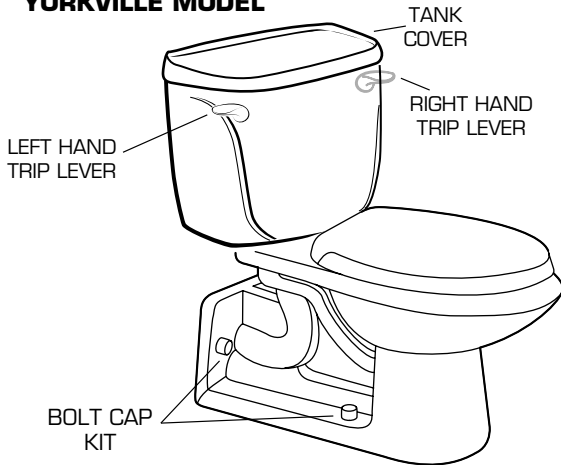
American Standard

PRESSURE-ASSISTED COMBINATION TOILETS

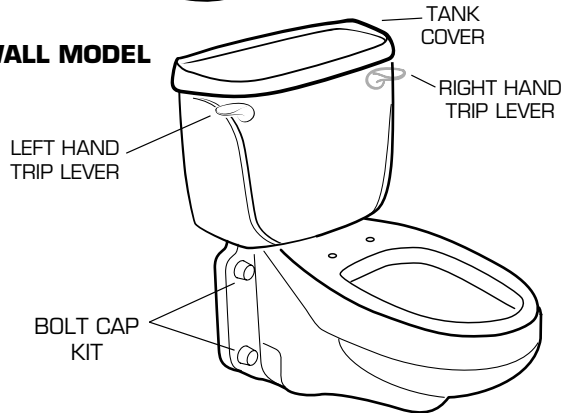
MODEL NUMBER

2093.100 GLENWALL
2320.101 YORKVILLE EL
2325.101 YORKVILLE 16-1/8" H
2333.100 CADET EL
2366.100 CADET RF
2377.100 EL 16-1/2" H
2377.456 EL 16-1/2" H
w/Slotted Rim for
Bed Pan Holding

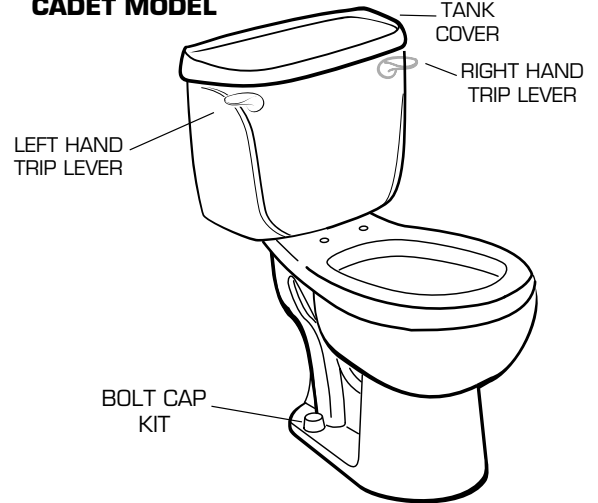
YORKVILLE MODEL



GLENWALL MODEL



CADET MODEL



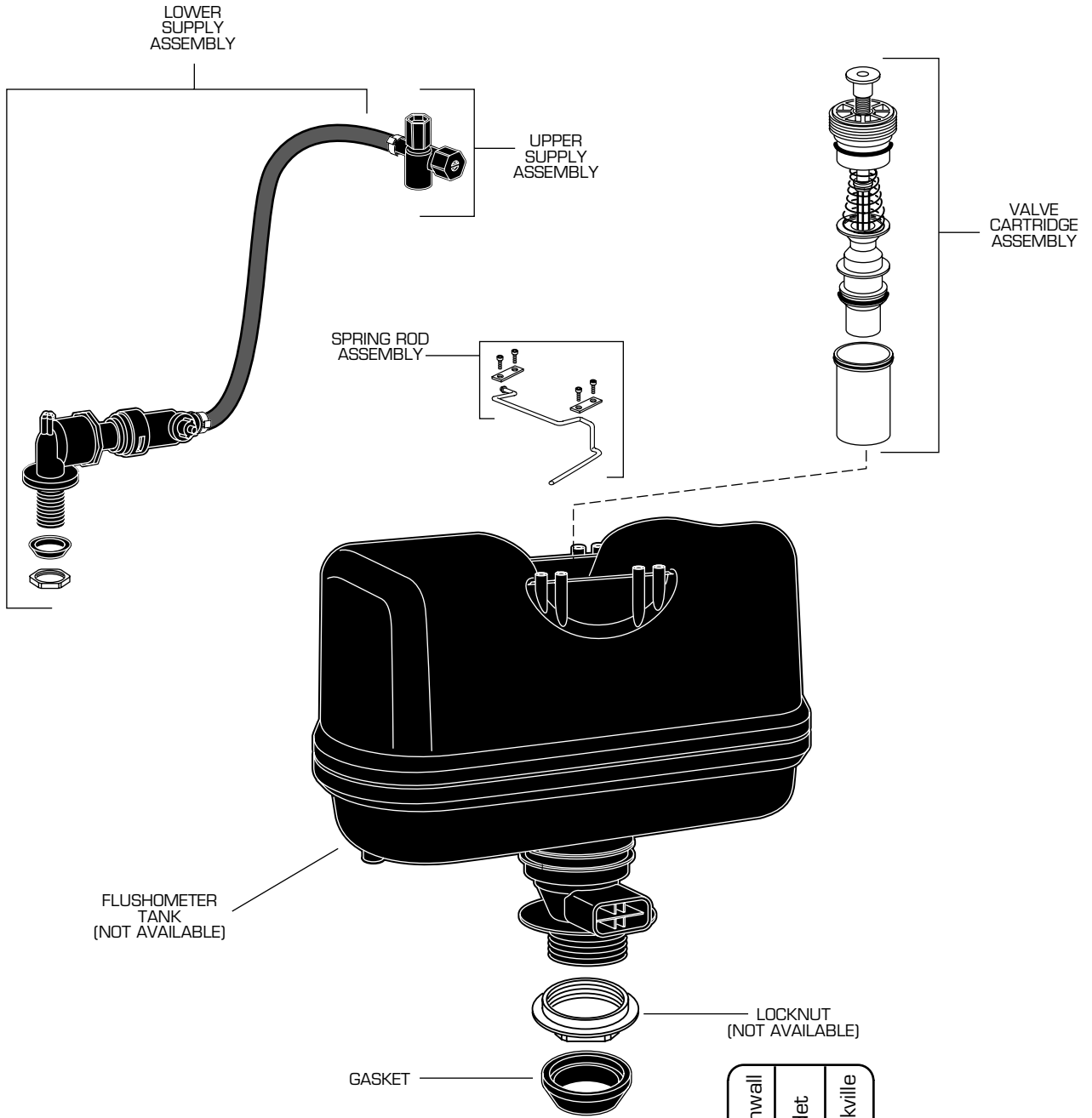
★ Replace XXX with Fixture Color Code, YYY with Trim Finish

DESCRIPTION	COMPONENT	PKG QTY		
		Glenwall	Cadet	Yorkville
★ Elongated Bowl (Glenwall) w/(4) Bolt Caps	3402.016.XXX	1		
★ Elongated Bowl (Yorkville) w/(4) Bolt Caps	3120.019.XXX			1
★ Elongated Bowl (Yorkville) 16-1/8 w/(4) Bolt Caps	3125.016.XXX			1
★ Elongated Bowl w/(2) Bolt Caps (Cadet)	3099.016.XXX		1	
★ Elongated Bowl w/(2) Bolt Caps & Slotted Rim (Cadet)	3099.203.XXX		1	
★ Round Front Bowl w/(2) Bolt Caps (Cadet)	3083.016.XXX		1	
★ Elongated Bowl w/(2) Bolt Caps (Cadet 16-1/2"H)	3109.016XXX		1	
★ Elongated Bowl w/(2) Bolt Caps & Slotted Rim (Cadet 16-1/2"H)	3109.456.XXX		1	
★ Tank Complete w/Trim L.H. Trip Lever	4098.100.XXX	1	1	
★ Tank Cover only	735083-400-XXX	1	1	
★ Tank Complete w/Trim R.H. Trip Lever	4098.800.XXX	1	1	
★ Tank Complete w/Trim L.H. Trip Lever	4099.100.XXX			1
★ Tank Cover Only	735084.400.XXX			1
★ Tank Complete w/Trim R.H. Trip Lever	4099.800.XXX			1
ORIGINAL EQUIPMENT REPAIR PARTS	PART NUMBER	PKG QTY		
Trip Lever L.H.	738473-YYYOA	1	1	1
Trip Lever R.H.	738494-YYYOA	1	1	1
Coupling Kit for Bowl to Tank (#217)	730292-007OA	1	1	1

▷ FOR COMPONENT PART ORDERING SEE CURRENT PRODUCT SELECTOR AND PRICING GUIDE.

2 PIECE COMBINATION TOILET PRESSURE ASSIST TANK TRIM

American Standard



DESCRIPTION	PART NUMBER	PKG QTY		
		Glenwall	Cadet	Yorkville
Spring Rod Assembly, Left Hand	738493-0070A	1	1	
Spring Rod Assembly, Right Hand	738495-0070A	1	1	
Coupling Gasket	034602-0070A	1	1	
Lower Supply Assembly (35 PSI)	738496-0070A	1	1	1
Upper Supply Assembly	047562-0070A	1	1	1
Valve Cartridge Assembly	047563-0070A	1	1	1
Spring Rod Assembly, Left Hand	738596-0070A			1
Spring Rod Assembly, Right Hand	738597-0070A			1
Coupling Gasket	047218-0070A			1