

TOTO®

Perfection by Design

CST774S

Carrollton 1.6 GPF Toilet, Elongated



- Classic design, close coupled toilet.
- Skirted styling with concealed trapway for easy cleaning.
- Unifit Rough-in
- G-Max Technology
- Powerful, quiet flush every time
- Large water surface

High profile close coupled toilet with 12" UniFit rough-in. Low consumption (6 Lpf/1.6 Gpf) siphon jet flushing action. Tank cover, fittings, color matched trip lever, vitreous china mounting covers, less seat.

■ CST774S

Elongated, less seat. 12" UniFit rough-in. Available Colors: #01, #11, #12, #03, #04, #51.

□ CT774S

Elongated front bowl only, 12" UniFit rough-in. Available Colors: #01, #11, #12, #03, #04, #51.

□ ST774S

Carrollton tank and cover only. Complete with tank trim & coupling components.

□ SS154

Traditional SoftClose Seat: Traditional styled seat and lid gently close with a touch of the hand. Elongated, closed front seat with lid.

□ TSU01W.10

10" UniFit rough-in: Optional.

□ TSU01W.12

12" UniFit rough-in: Supplied.

□ TSU01W.14

14" UniFit rough-in: Optional.

Colors:

Standard Color Matched
Optional See price book for additional colors

Trip Lever:

Standard #CP Chrome Plated
Optional See price book for additional finishes

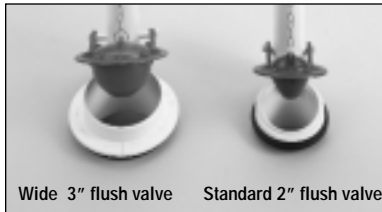
CST774S - Carrollton Toilet
SS154 - Traditional SoftClose Seat



G-Max Technology: Quiet, powerful, commercial grade flushing performance.



Choose a Traditional SoftClose toilet seat, or upgrade to a Jasmin washlet.



Fast Flush: New, wider 3" flush valve is 125% larger than conventional 2" flush valves.

CST774S

Carrollton 1.6 GPF Toilet, Elongated

■ PERFORMANCE

The TOTO G-Max System offers outstanding commercial grade performance. The TOTO low consumption one piece toilet received high ratings during ANSI/ASME testing at independent laboratories. Designed with a powerful siphon jet flushing action, the bowl offers a large water surface and a 100% glazed trapway.

■ SPECIFICATIONS

Water Use: 1.6 Gpf / 6.0 Lpf
 Flush System: Gravity Feed (G-Max System)
 Min. Water Pressure: 8 psi
 Water Surface: 10-3/8" x 8-3/8"
 Trap Diameter: 2-1/8"
 Rough-in: 12" (10" and 14")
 Trap Seal: 2-1/16"
 Warranty: Five Year Limited Warranty
 Material: Tank & Bowl: Vitreous china
 UniFit Rough-in: PVC

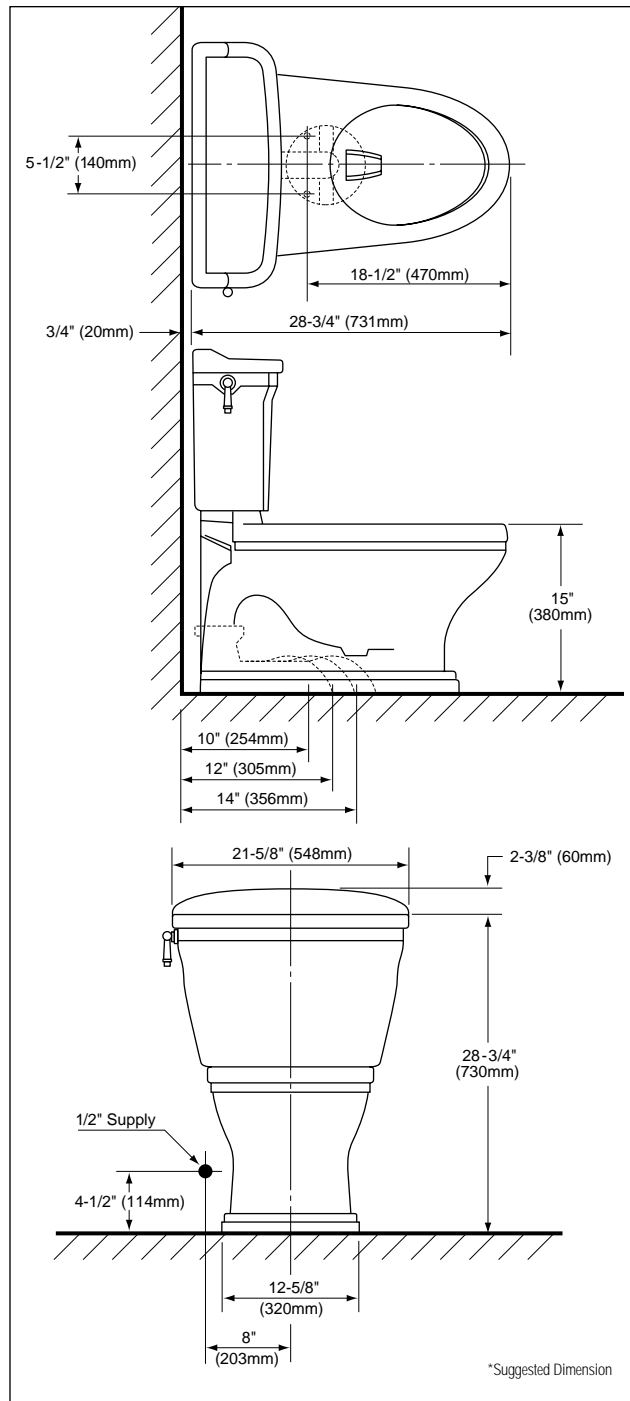
Shipping Weight: **CT774S** 84 lbs.
ST774S 40 lbs.

Shipping Dimensions: **CT774S** 31-1/8"L x 17-1/8"W
 x 22-5/8"H
ST774S 23-5/8"L x 8-7/8"W
 x 16-7/8"H

Fixture dimensions and hydraulic performance meet or exceed ANSI/ASME standard A112.19.2M and CAN/CSA B 45 requirements.

Listing and approval: IAPMO/UPC, CSA, City of Los Angeles, State of MA, and others

These dimensions and specifications are subject to change without notice.



CST774S - Carrollton Toilet



TOTO U.S.A., INC. • 1155 Southern Road, Morrow, GA 30260
 Tel. (770) 282-8686 • Fax. (770) 282-8701 • www.totousa.com
 Printed in U.S.A. © TOTO LTD. 6/01

Printed on recycled paper

REV 6/01