

# TOTO®

## CST764S(G) Vespin Close Coupled Toilet, 1.6 GPF



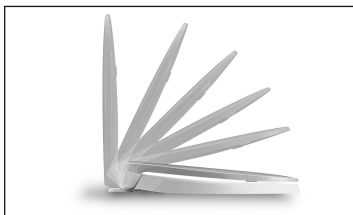
CST764S(G) - Vespin Close Coupled Toilet with SS114 - SoftClose Seat



**G-Max Technology:** Quiet, powerful, commercial grade flushing performance.



**UniFit Rough-in:** Easy to install, 10", 12" and 14" rough-in's available.



Choose a SoftClose toilet seat or upgrade to a Zoë Washlet or Warmlet.



**SanaGloss® glaze** seals the surface, creating a finish that actually repels stains caused by buildup of mineral deposits.

Trip Lever:  
Standard Chrome  
Optional See price book for additional finishes

TOTO USA, Inc. recommends the use of a nationally listed, double sanitary tee-wye only, in vertical waste stacks, in accordance with the stipulations noted in the majority of nationally recognized plumbing codes.

- Contemporary design, close coupled toilet.
- Skirted styling with concealed trapway for easy cleaning.
- Unifit Rough-in
- SanaGloss Technology: super smooth, ion barrier glazing for a clean toilet bowl
- G-Max Technology
- Powerful, quiet flush every time
- Large water surface

High profile close coupled toilet with 12" UniFit rough-in. Low consumption (6 Lpf/1.6 Gpf) siphon jet flushing action.

Tank cover, fittings, chrome trip lever, vitreous china mounting covers, less seat.

### ■ CST764SG

Elongated, less seat. 12" UniFit rough-in. SanaGloss Glazing. Available in: #01, #11, #12, #03.

### ■ CST764S

Elongated toilet, less seat. 12" UniFit rough-in. Less SanaGloss Glazing. Available colors: #51.

### □ CT764SG

Elongated front bowl only, 12" UniFit rough-in. SanaGloss Glazing. Available Colors: #01, #11, #12, #03.

### □ CT764S

Elongated front bowl only, 12" UniFit rough-in. Less SanaGloss Glazing. Available colors: #51.

### □ ST707S

Tank and cover only. Complete with tank trim & coupling components.

### □ TSU01W.10

10" UniFit rough-in: Optional.

### □ TSU01W.12

12" UniFit rough-in: Supplied.

### □ TSU01W.14

14" UniFit rough-in: Optional.

# CST764S(G)

## Vespin Close Coupled Toilet, 1.6 GPF

### ■ PERFORMANCE

The TOTO G-Max low consumption toilet received high ratings during ANSI/ASME testing at independent laboratories. Designed with a powerful siphon jet flushing action, the bowl offers a large water surface and a 100% glazed trapway.

### ■ SPECIFICATIONS

Water Use: 1.6 Gpf / 6.0 Gpf  
 Flush System: Gravity Feed  
 (G-Max System)

Min. Water Pressure:  
 8 psi

Water Surface: 10-1/4" x 8-1/4"  
 Trap Diameter.: 2-1/16"  
 Rough-in: 12" (10" and 14" optional)  
 Trap Seal: 2-1/2"  
 Trip Lever: Chrome  
 Warranty: One Year Limited Warranty  
 Material: Tank & Bowl: Vitreous China  
 UniFit Rough-in: PVC

Shipping Weight: **CT764S(G)**- Bowl 75 lbs.  
**ST707S** - Tank 34 lbs.

### Shipping Dimensions:

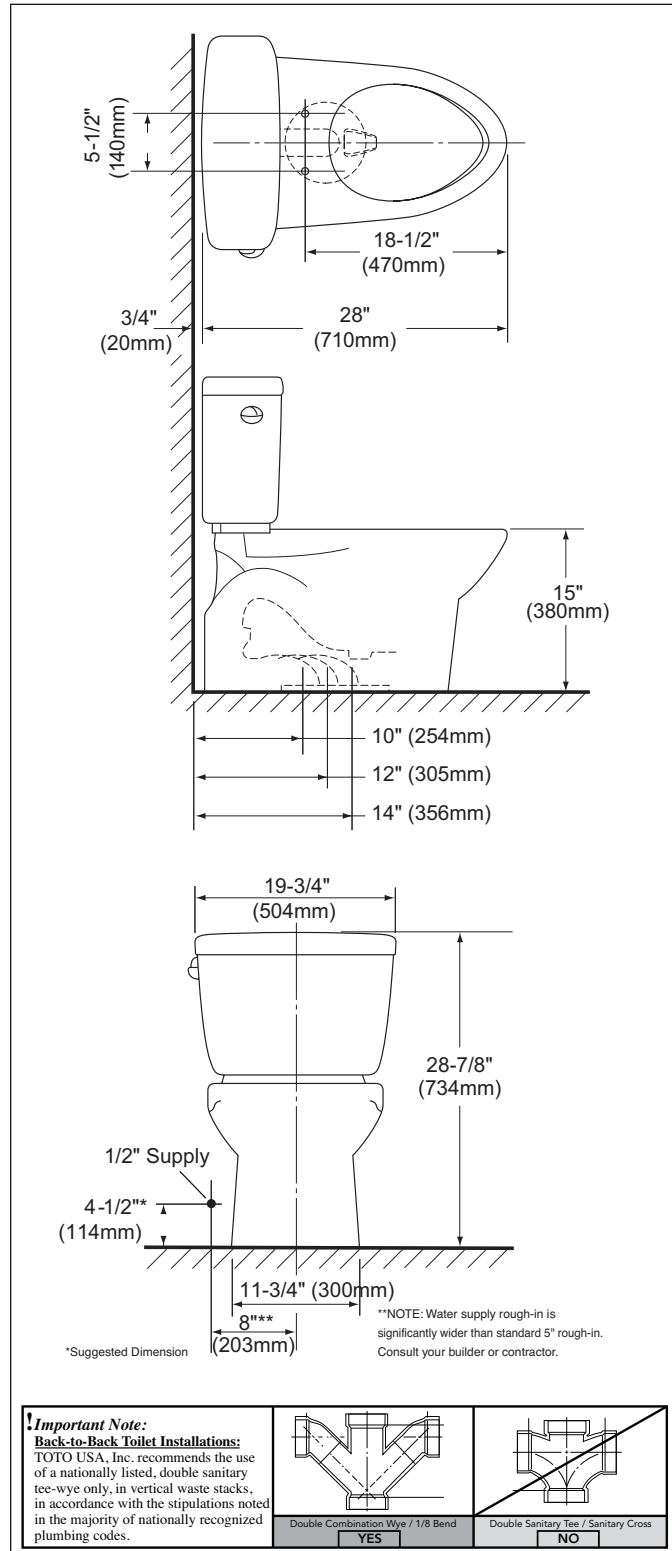
**CT764S(G)** - Bowl  
 30-1/8"L x 16-3/4"W x 22"H  
**ST707S** - Tank  
 20-1/8"L x 8-1/4"W x 15-1/2"H

*Fixture dimensions and hydraulic performance meet or exceed ANSI/ASME standard A112.19.2M and CAN/CSA B 45 requirements.*

*Listing / Approvals: IAPMO/UPC, CSA, City of Los Angeles, State of Massachusetts, and others.*

*These dimensions and specifications are subject to change without notice.*

U.S. Patent: 5,819,326  
 5,983,413 and pending  
 6,108,826



CST764S(G) - Vespin Close Coupled Toilet



TOTO U.S.A., INC. • 1155 Southern Road, Morrow, GA 30260  
 Tel. (888) 295-8134 • Fax. (800) 699-4889 • www.totousa.com

Printed in U.S.A. © TOTO LTD. 2/01

Printed on recycled paper ♻️

REV 0709